

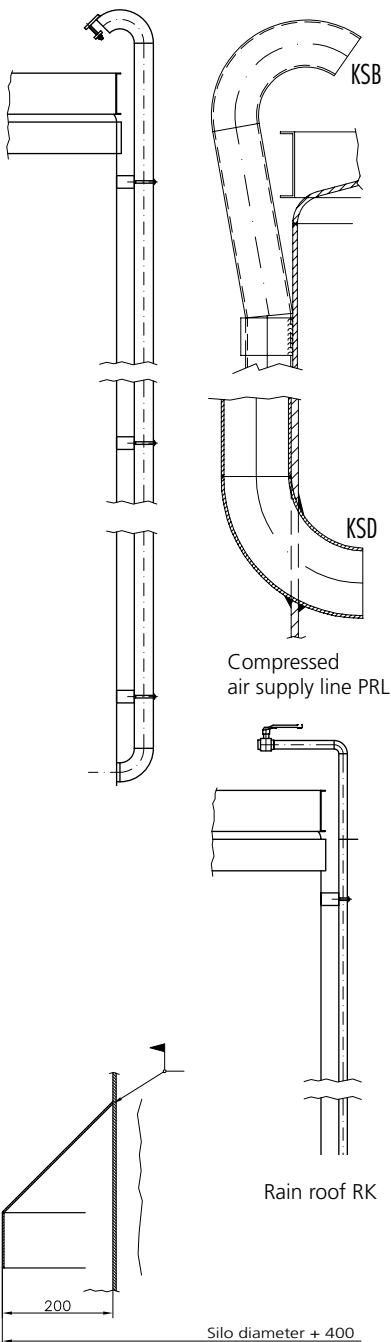
SILO ACCESSORIES

CABLE PROTECTION PIPES, COMPRESSED AIR PIPES

AIR-LEAKAGE PIPES, RAIN COLLAR

Material:	For items without material data, all parts are made of AlMg3, AlMgSi or Stainless Steel.
Standard accessories:	Accessories always include installation.

Design example



Description	Article no.	
KSR	Aluminium pipe welded to the silo shell, open at both ends, for the installation electrical wiring	
KSR 50	Ø 60 x 2,0	KSR 50
KSR 80	Ø 80 x 2,0	KSR 80
KSR 100	Ø 100 x 2,0	KSR 100
KSB	Cable protection pipe duct bend as upper sealing cap	
KSB 50	Suitable for „KSR 50“	KSB 50
KSB 80	Suitable for „KSR 80“	KSB 80
KSB 100	Suitable for „KSR 100“	KSB 100
KSD	Cable protection pipe grommet in the standard frame	
KSD 100	Suitable for „KSR 50“ to „KSR 100“	KSD 100
PRL	Compressed air pipe made in galvanised steel welded to the silo shell, connection pieces not included	
PRL 05	Nominal width 1/2" with thread	PRL 05
PRL 075	Nominal width 3/4" with thread	PRL 075
PRL 1	Nominal width 1" with thread	PRL 1
PRL 15	Nominal width 1 1/2" with thread	PRL 15
PRL 2	Nominal width 2" with thread	PRL 2
Compressed air pipe like PRL but in Stainless Steel		
LL	Air-leakage pipe made in AlMg, incl. grommet in standard frame	
LL DN 40		LL 40
LL DN 50		LL 50
LL DN 80		LL 80
Air-leakage pipe like LL, but in Stainless Steel incl. grommet standard frame		
RK	Rain collar welded to silo circumference	
RK 24	Suitable for up to silo diameter d = 2400	RK 24
RK 30	Suitable for up to silo diameter d = 3000	RK 30
RK 35	Suitable for up to silo diameter d = 3500	RK 35
RK 42	Suitable for up to silo diameter d = 4200	RK 42
All measurements in mm.		